

ABM Pump

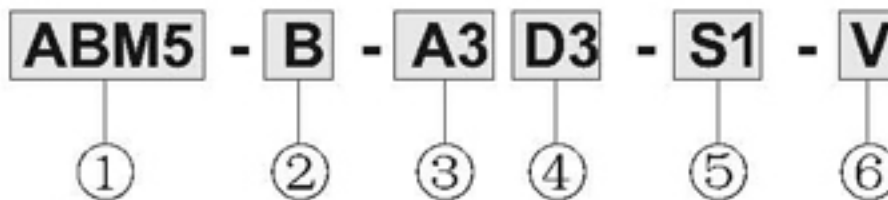
Max.vacuum level	: -85kPa(-25.1 inHg)
Max.Flow rate	: 220NI/m(7.77 scfm)
Supply air pressure	: 4-6bar Max.7bar
Supply air pressure(opt)	: 4.5bar
Supply air type	: Dry compressed air
Working temperature	: -20℃ to +80℃
Noise level	: 50-68dBA

Main advantages

These M-Mini range pumps are compact and low weight design. Although they are the smallest of the ABM range they still use a Multi Stage Ejector principal for generating the vacuum, these pumps provide large capacity vacuum flow combined with high grade plastic, making the pumps resilient to most hazardous vapours. Because the pumps are too small they can be mounted locally to the vacuum requirement, even directly onto the back of suction cups if required. Different vacuum port sizes are available with options for an integrally mounted exhaust or a 3/8" detachable versions. The pumps can be specified with a vacuum switch or a quick release module attached directly onto the pump. The pump can have seal materials options of Viton® & EPDM for corrosive and acidic applications.



◆ How to Order



① Model- Capacity equivalent to electricity motor pump size

ABM5	-0.05KW
ABM10	-0.10KW
ABM20	-0.20KW
ABM30	-0.30KW

② Air Supply, Vacuum, Exhaust Port

	Air	Vacuum	Exhaust
A	M5-φ6	G1/8"	Internal silencer
NA	M5-φ6	NPSF1/8"	Internal silencer
B	G1/8"	G3/8"	Internal silencer
BA	G1/8"	G3/8"	Internal silencer connection plate-AL
NB	NPSF1/8"	NPSF3/8"	Internal silencer
NBA	NPSF1/8"	NPSF3/8"	Internal silencer connection plate-AL
C	G1/8"	G3/8"	External silencer
NC	NPSF1/8"	NPSF3/8"	External silencer

※ Standard pump model
 ABM5-A,NA,B,BA,NB,NBA,C,NC ABM20-B,BA,NB,NBA,C,NC
 ABM10-A,NA,B,BA,NB,NBA,C,NC ABM30-B,BA,NB,NBA,C,NC

③ Air supply control valve

A1	-AC110V
A2	-AC220V
A3	-DC24V

④ Control valve & Solenoid terminal

1	-Piston valve -DIN type without lead wire
2	-Piston valve -DIN type with lamp without lead wire
3*	-Piston valve -Connector type with 0.3m lead wire & lamp
D1	-Diaphragm valve -DIN type without lead wire
D2	-Diaphragm valve -DIN type with lamp without lead wire
D3*	-Diaphragm valve -Connector type with 0.3m lead wire & lamp

* : Only for DC24V

⑤ Vacuum switch / Quick release module

S1	-Mechanical vacuum switch
Q1	-Quick release module: 12cm ³
Q2	-Quick release module: 30cm ³

※ Remark: Air supply control valve available for vacuum pump B, BA, NB, NBA, C, NC type only.

⑥ Sealing

No mark	-Standard (NBR)
V	-Viton®
E	-EPDM

Vacuum Pump ABM Series



◆ Characteristics

Model	max.vacuum -kPa(-inHg)	Max. vacuum flow(Nl/m)	air consumption (Nl/m)	noise level (dBA)	weight (g)	min hose inner ϕ (within 2m)		
						air supply	vacuum	exhaust
ABM5	85 (25.1)	37	15-21	50-65	-	>2	>5	>8
ABM10		74	30-42	55-68	-	>2	>8	>10
ABM20		149	60-84	60-68	-	>4	>10	>12
ABM30		220	90-126	60-68	-	>6	>12	>15

※Remarks: type weight = ABM5-A(B,BA,NBA,C,NC):26g(30,56,30,56,42,42)
 ABM10 A(B,BA,NBA,C,NC) : 28g(32,58,32,58,44,44)
 ABM20-B(BA,NB,NBA,C,NC) : 41g(79,41,79,53,53)
 ABM30-B(BA,NB,NBA,C,NC) : 60g(98,60,98,72,72)

◆ Induce air in liters per minute (Nl/m)

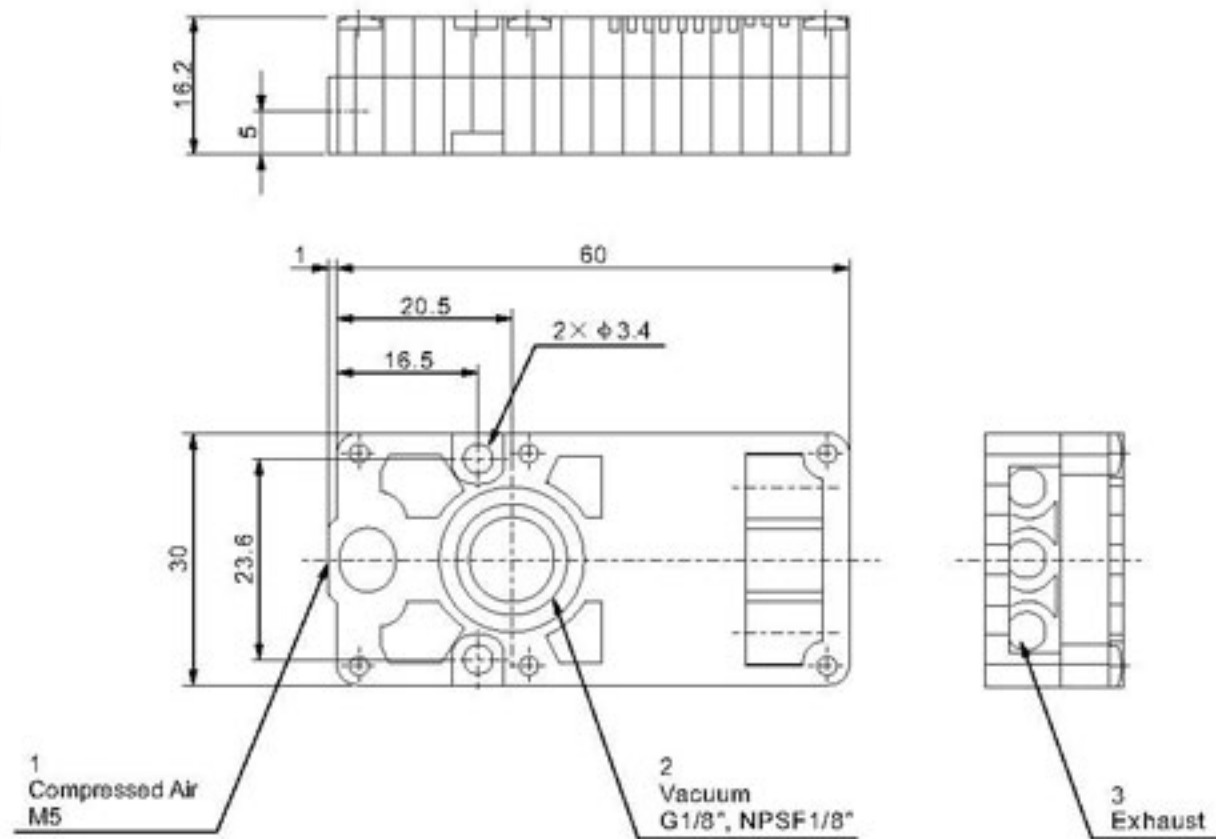
Model	-inHg -kPa	0	2.95	5.9	8.85	11.81	14.76	17.71	20.67	23.62
		0	10	20	30	40	50	60	70	80
ABM5	37	37	26	16	14	10	8	6	2.4	0.66
ABM10	74	74	52	31	28	20	16	12	4.8	1.32
ABM20	149	149	99	62	54	40	32	22	10.5	2.7
ABM30	220	220	147	92	73	60	47	32	16	4.1

◆ Time in seconds to evacuate to vacuum level (sec/l)

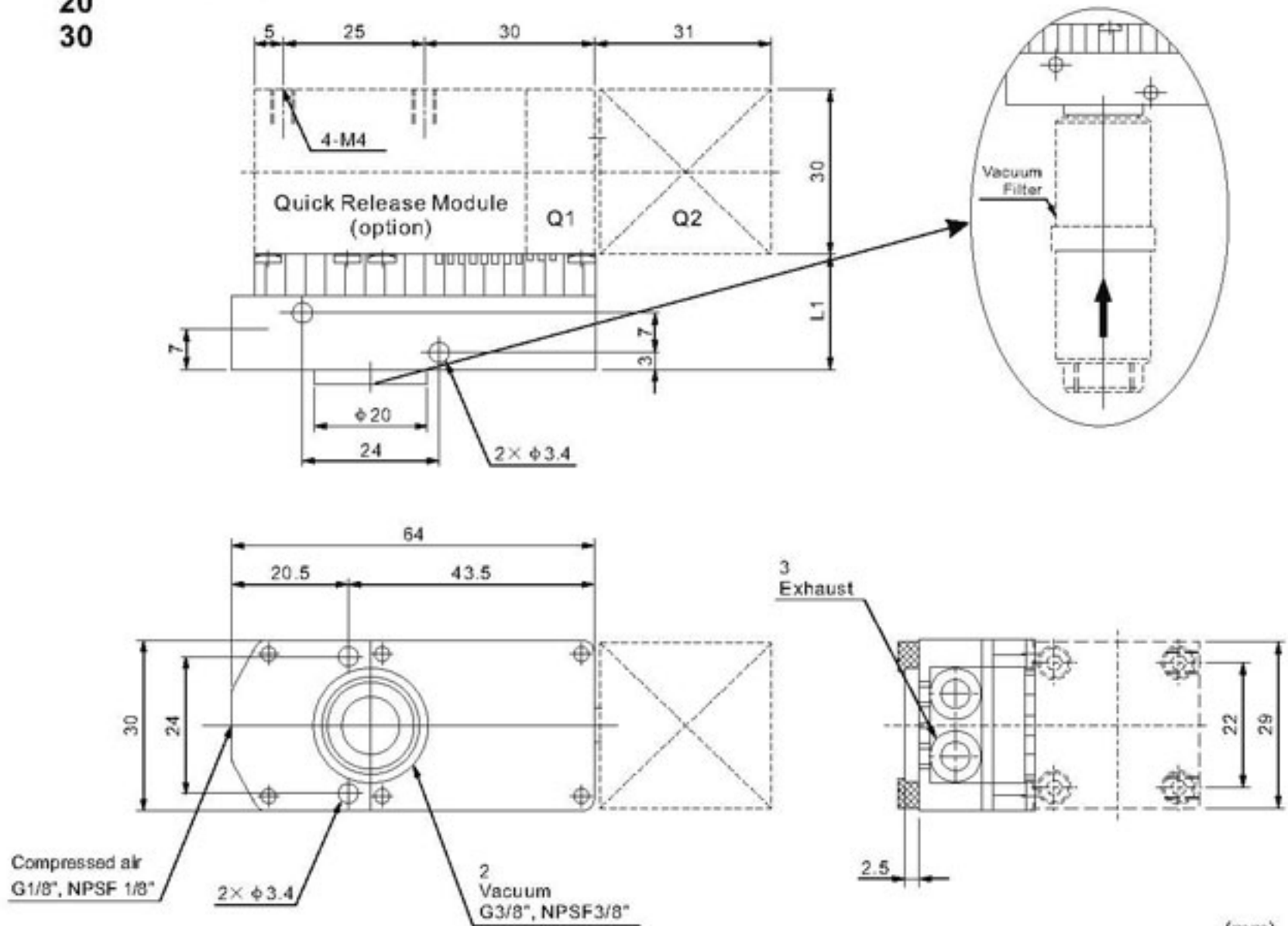
Model	-inHg -kPa	2.95	5.9	8.85	11.81	14.76	17.71	20.67	23.62
		10	20	30	40	50	60	70	80
ABM5	37	0.218	0.556	1	1.576	2.356	3.44	5.27	10.216
ABM10	74	0.109	0.278	0.5	0.788	1.178	1.72	2.635	5.158
ABM20	149	0.054	0.139	0.25	0.394	0.589	0.86	1.317	2.579
ABM30	220	0.041	0.104	0.186	0.295	0.441	0.647	0.898	1.935

◆ Dimensional Information

5
ABM (10) - A (NA)



5
ABM (10) - B (BA,NB)
20
30



(mm)	
Model	L1
ABM5	20.2
ABM10	20.2
ABM20	27.4
ABM30	34.6

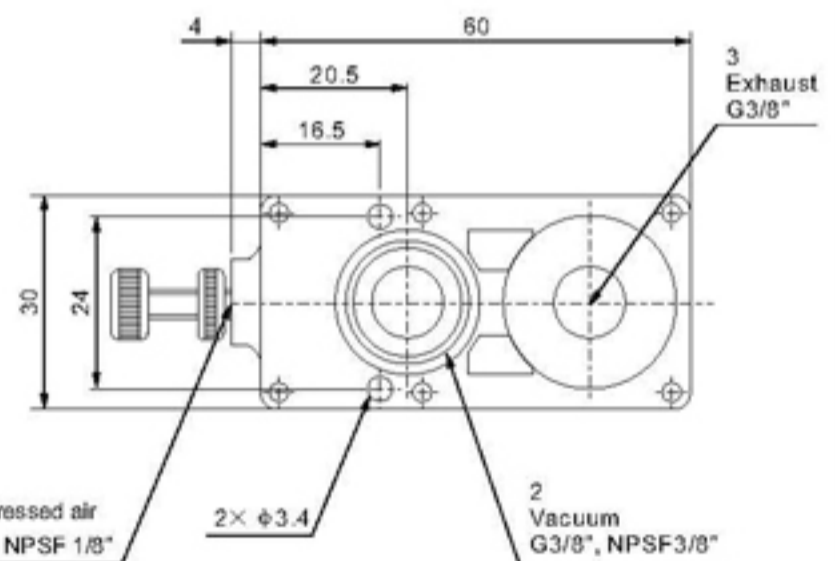
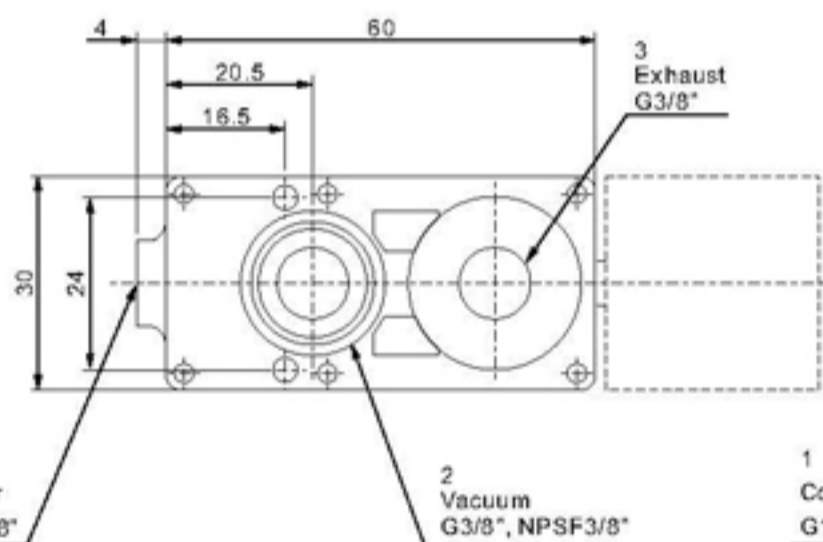
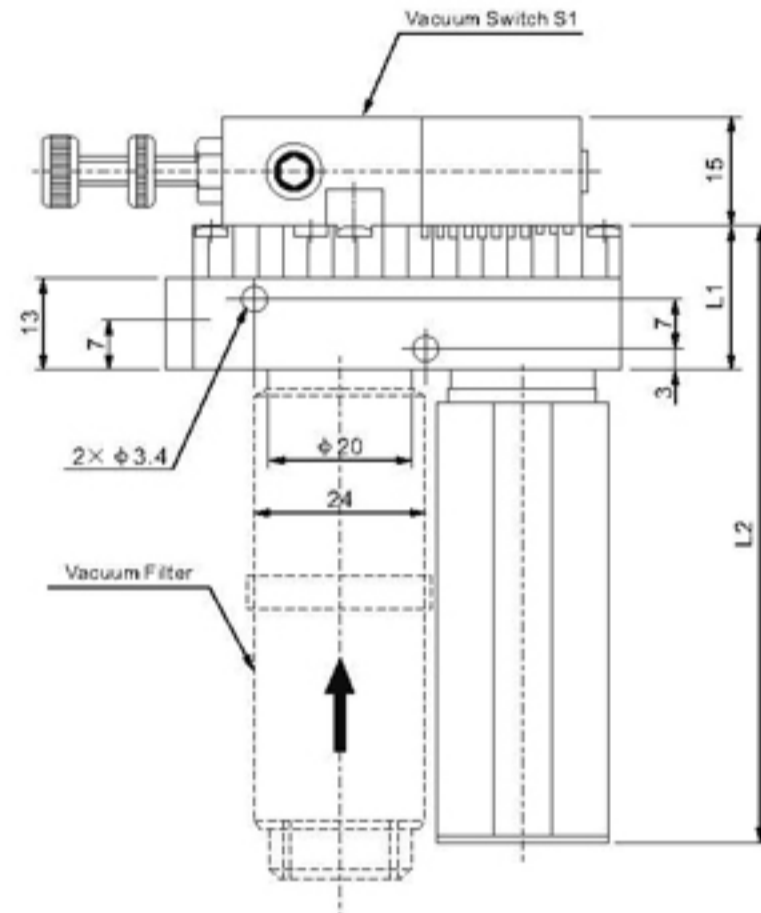
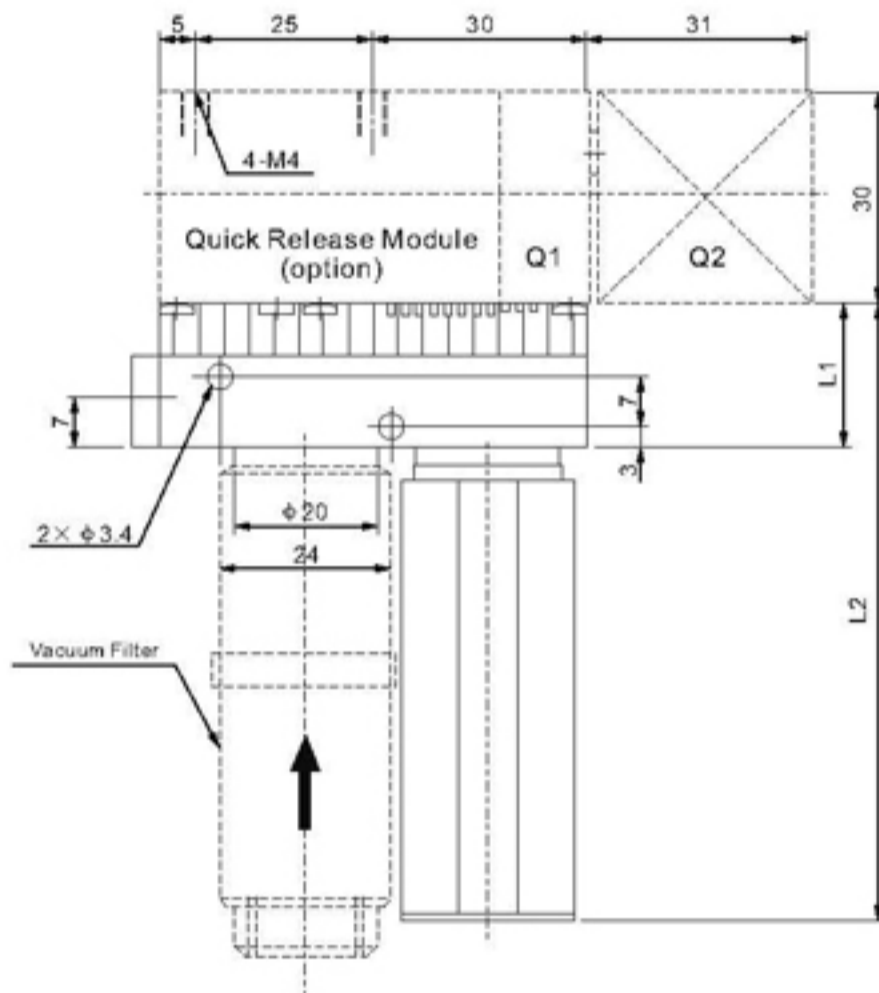
Vacuum Pump ABM Series

AIRBEST
AIRBEST PNEUMATICS

◆ Dimensional Information

5
ABM (10) - C (NC)
20
30

with switch S1



(mm)

Model	L1	L2
ABM5	20.2	86.2
ABM10	20.2	86.2
ABM20	27.4	93.4
ABM30	34.6	100.6