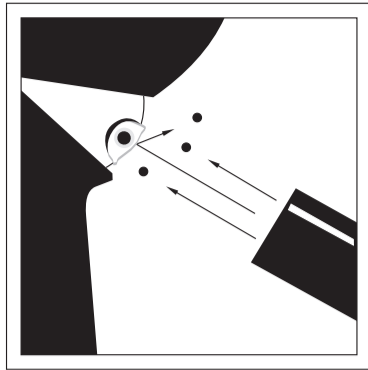


AIRBEST PNEUMATICS CO.,LTD MANUAL

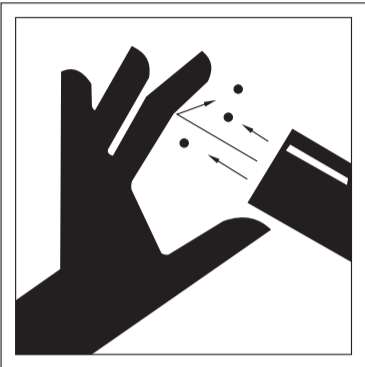
Classic AM25L,AM50L,AM100L,AM125L,
AM150L,AL25,AL50,AL75,AL100,AL125,
AL175,AL200,AH40,AH120



Vacuum force



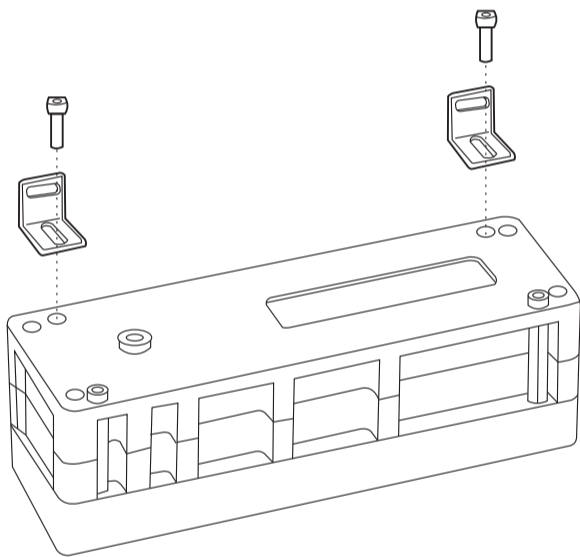
Exhaust



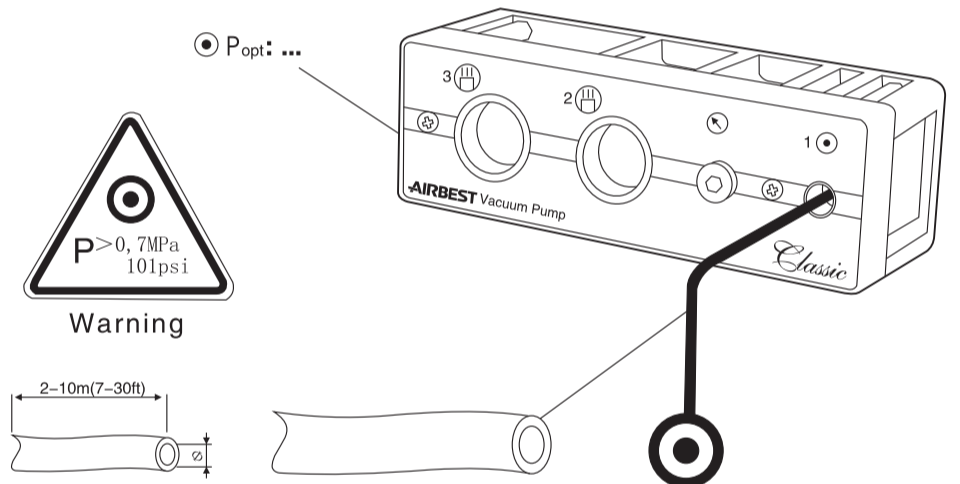
Unrestricted exhaust



1

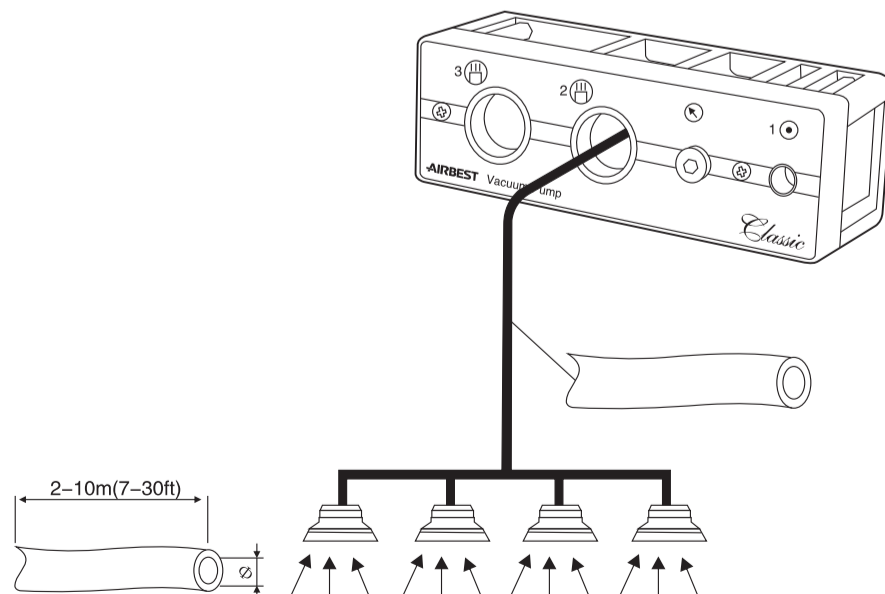


2



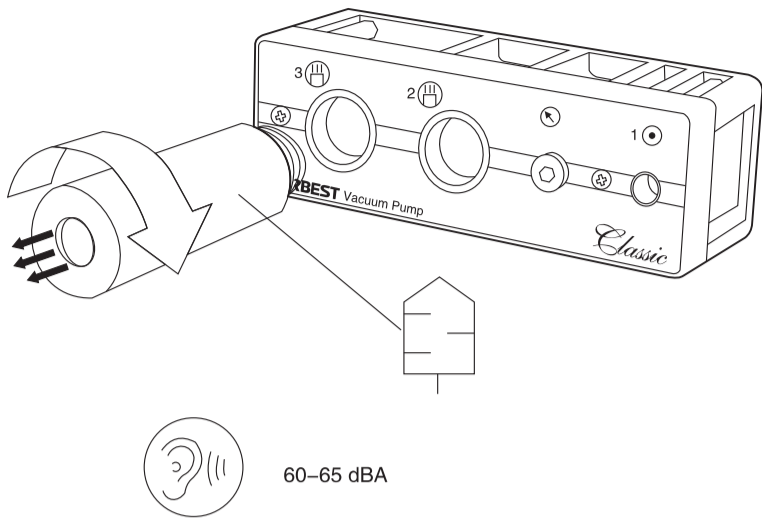
	AM25L	AM50L	AM100L	AM125L	AM150L	AL25	AL50	AL75	AL100	AL125	AL150	AL175	AL200	AH40	AH120
$\phi \geq$ (mm)	4-6	6-8	8-11	11-12	11-12	4-6	6-8	8-11	8-11	10-12	10-12	10-12	10-12	6-8	8-11
(in)	0.16-0.24	0.24-0.32	0.32-0.43	0.43-0.47	0.43-0.47	0.16-0.24	0.24-0.32	0.32-0.43	0.32-0.43	0.4-0.47	0.4-0.47	0.4-0.47	0.4-0.47	0.24-0.32	0.32-0.43

3

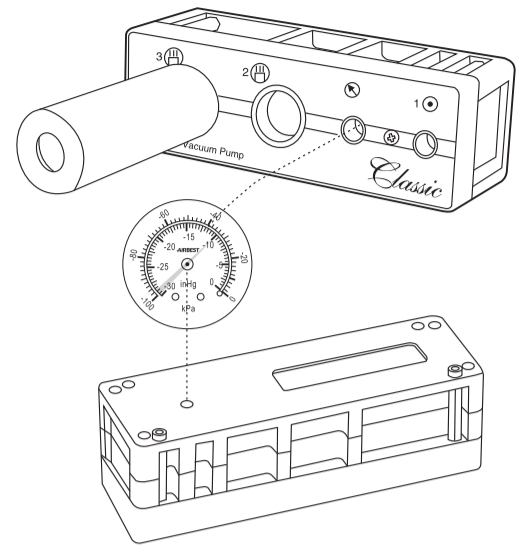


	AM25L	AM50L	AM100L	AM125L	AM150L	AL25	AL50	AL75	AL100	AL125	AL150	AL175	AL200	AH40	AH120
$\phi \geq$ (mm)	12-17	15-21	19-25	25-32	25-32	12-17	15-21	19-25	19-25	25-32	25-32	25-32	25-32	8-11	15-21
(in)	0.47-0.67	0.59-0.83	0.75-1	1-1.28	1-1.28	0.47-0.67	0.59-0.83	0.75-1	0.75-1	1-1.28	1-1.28	1-1.28	1-1.28	0.32-0.43	0.59-0.83

4

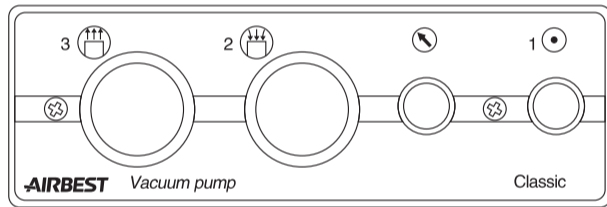


5

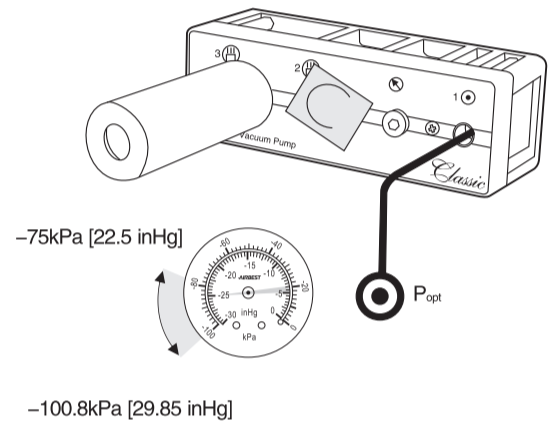


6

Connection plate "Example"			
AM25L-DN(PPS)		≤ 3 Nm [2.2 lbf]	≤ 5 Nm [3.2 lbf]
AM25L-EN(AI)		≤ 3 Nm [2.2 lbf]	≤ 5 Nm [3.7 lbf]
AM25LADN(AI)		≤ 6 Nm [4.4 lbf]	≤ 10 Nm [7.4 lbf]

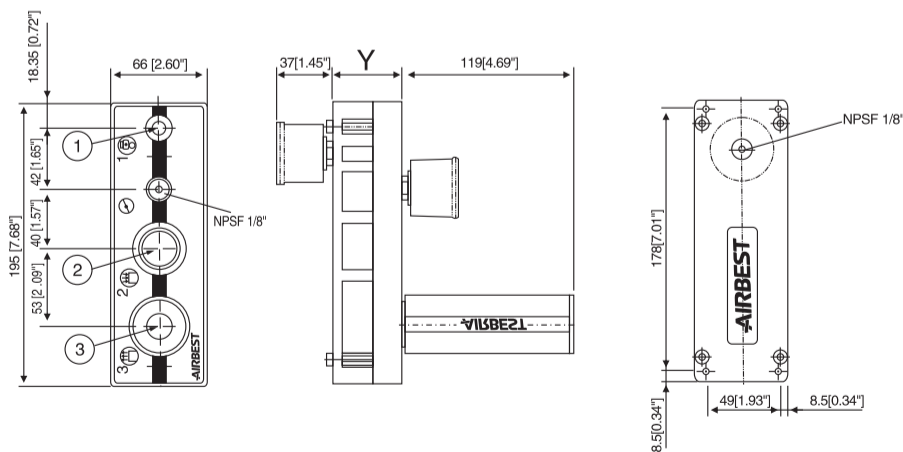


7 TEST

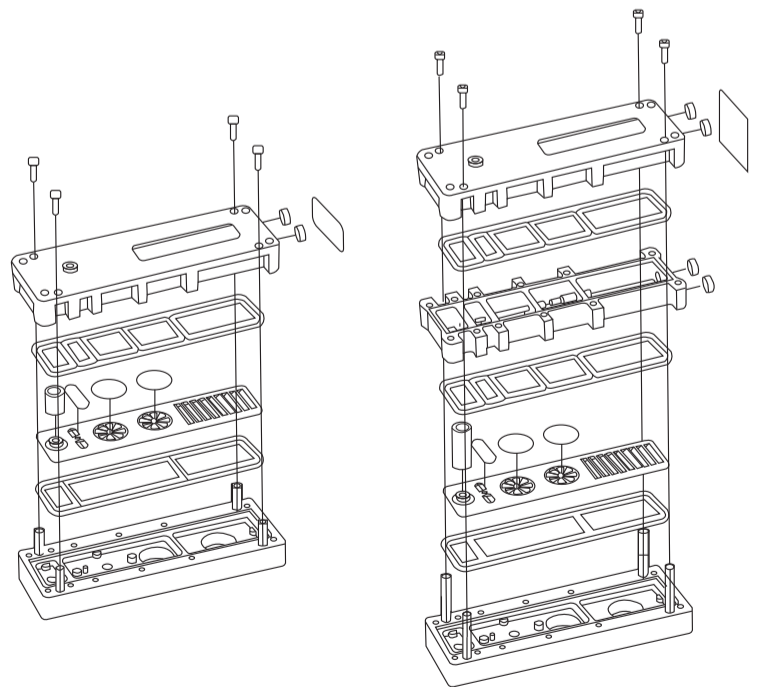


Model	Max vacuum kPa [inHg]	P opt MPa [psi]
AM25L-AM150L	-91 [-27]	0.34 [50]
AL25-AL200	-80 [-24]	0.4-0.6[58-87]
AH40	-99.8 [-29.6]	0.6 [87]
AH120	-100.8 [-30.24]	0.6 [87]

8



9



Pump size	Y	Connection plate	D	AD	E	B
25,50	45(1.77")	1.Compressed air	NPSF 1/8"	G 1/4"	NPT 1/4"	NPSF 1/8"
		2.Vacuum	G 3/4"	G 3/4"	NPT 3/4"	NPT 3/4"
100	65(2.56")	3.Exhaust	G 3/4"	G 3/4"	NPT 3/4"	NPT 3/4"

Pump size	Y	Connection plate	D	B
125,150	85(3.35")	1.Compressed air	G 1/4"	NPT 1/4"
		2.Vacuum	NPT1"	NPT 1"
175, 200	105(4.13")	3.Exhaust	G1"	NPT 1"

